

BATHTUB **ONYX**



REF.
7440.00
7441.00

Electric Hi/Lo Bathtub

With its especially designed shapes, Onyx is highly comfortable for residents and offers the best ergonomic position for carers.

Bath



BATHTUB ONYX



The Onyx bathtub is equipped with an electrical height adjustment system, combining comfort and ease of use for both patients and carers.



Version 7441



Version 7440

DESCRIPTION:

- Reinforced fiberglass tub white colour.
- Adjustable height by one 24V electric jack and one gas jack.
- Thermostatic mixer, anti-burn security, and non return valves.
- Temperature digital display.
- Hi/Lo sensitive controls, low tension.
- Cleaning and disinfection shower heads.
- Disinfection system by bactericide suction with tank (2 liters) integrated into the tub.
- Removable feet-wedge.

TECHNICAL SPECIFICATIONS:

- Maximum water volume (long tub) : 200 l
- Maximum water volume (short tub) : 180 l
- Empty weight (long tub) : 120 Kg
- Empty weight (short tub) : 110 Kg
- Adjustable height from 62 to 102cm.
- Filling time: ~4 minutes under 3 bars

ELECTRICITY:

- General electric feeding : 230V - 50hz - 180W
- General electric feeding with whirlpool 230V - 50hz - 1180W

VERSIONS:

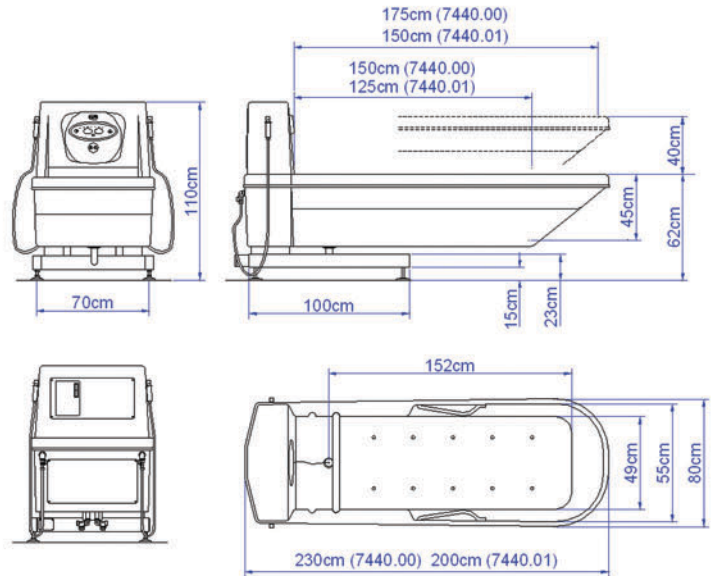
- Ref. 7440.00 Onyx length 230cm with thermostatic mixer.
- Ref. 7440.01 Onyx length 200cm with thermostatic mixer.
- Ref. 7441.00 Onyx length 230cm with digital thermostatic mixer "SENSE"
- Ref. 7441.01 Onyx length 200cm with digital thermostatic mixer "SENSE" including individual bath/shower programmable temperatures and thermic disinfection.

OPTIONS:

- Ref. 7121.99 Air whirlpool Option with integrated air heater.
- Ref. 7132.99 Automatic stop filling.
- Ref. 7440.60 Chromotherapy.
- Ref. 7440.70 Aromatherapy.

CONFORMITY:

- 73/23/CEE (Low voltage directive)
- 89/336/CEE (EMC directive)
- NF EN 60335-1 (Electric standard for bathtub...)
- NF EN 60335-2-60 (Electric standard for bathtub...)
- NF C 15-100 (Electric installation...)
- NF EN 1717 (Anti-pollution...)



HYGIENE & SECURITY

The bath design and integrated filling simplify cleaning and disinfection of the bath walls. The disinfection system consists of a controlled-rate shower and a protected bactericide tank. The air whirlpool bath (optional) with adjustable output and automatic drainage at end of cycle prevents contamination. A digital control panel is provided to raise and lower the bath and control the air whirlpool (optional). The thermostatic mixer temperature control is equipped with a built-in anti-scald safety device.

COMFORT & WELL-BEING

The curved interior lines with built-in armrests, two ergonomic handles, headrest and footrest guarantee an excellent position for the resident. The Onyx is available in two lengths (200 cm or 230 cm) to adapt to all morphologies. The double bath shells provide sound and thermal insulation, much appreciated during relaxing air whirlpool baths.



ZA Fief des Prises - Usseau
17220 Ste Soulle / La Rochelle

Tél. 05 46 42 04 16
Fax. 05 46 43 06 38

www.france-reval.com



Bath